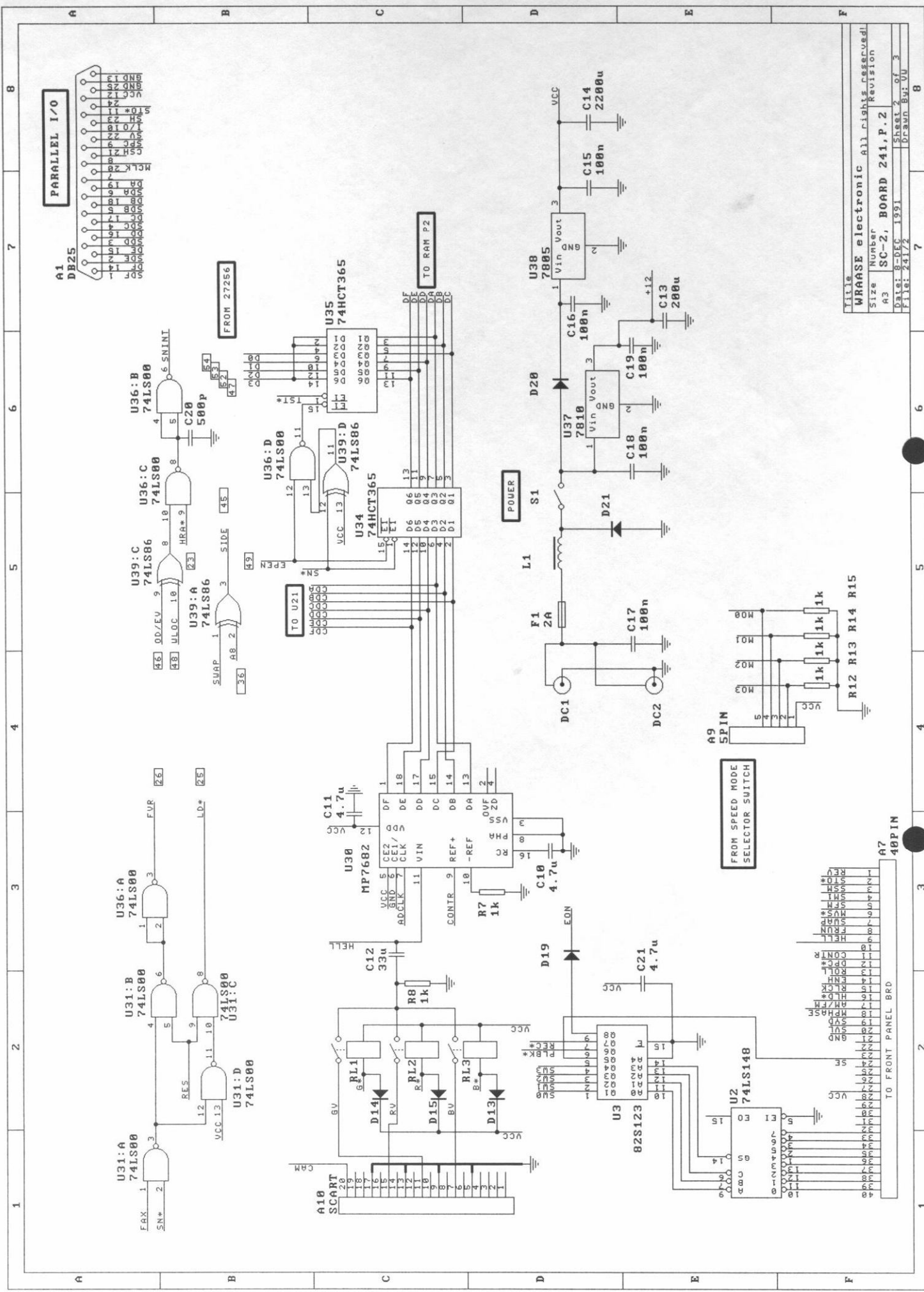


Title: WRNRSF electronic All-Channel-CASCAWALL  
 Size: SC-Z, B0NRDZ41, P. 1  
 Date: 30-0CT 1971  
 File: 24171  
 Sheel: 1 of 1  
 Drawn: D. J. VU



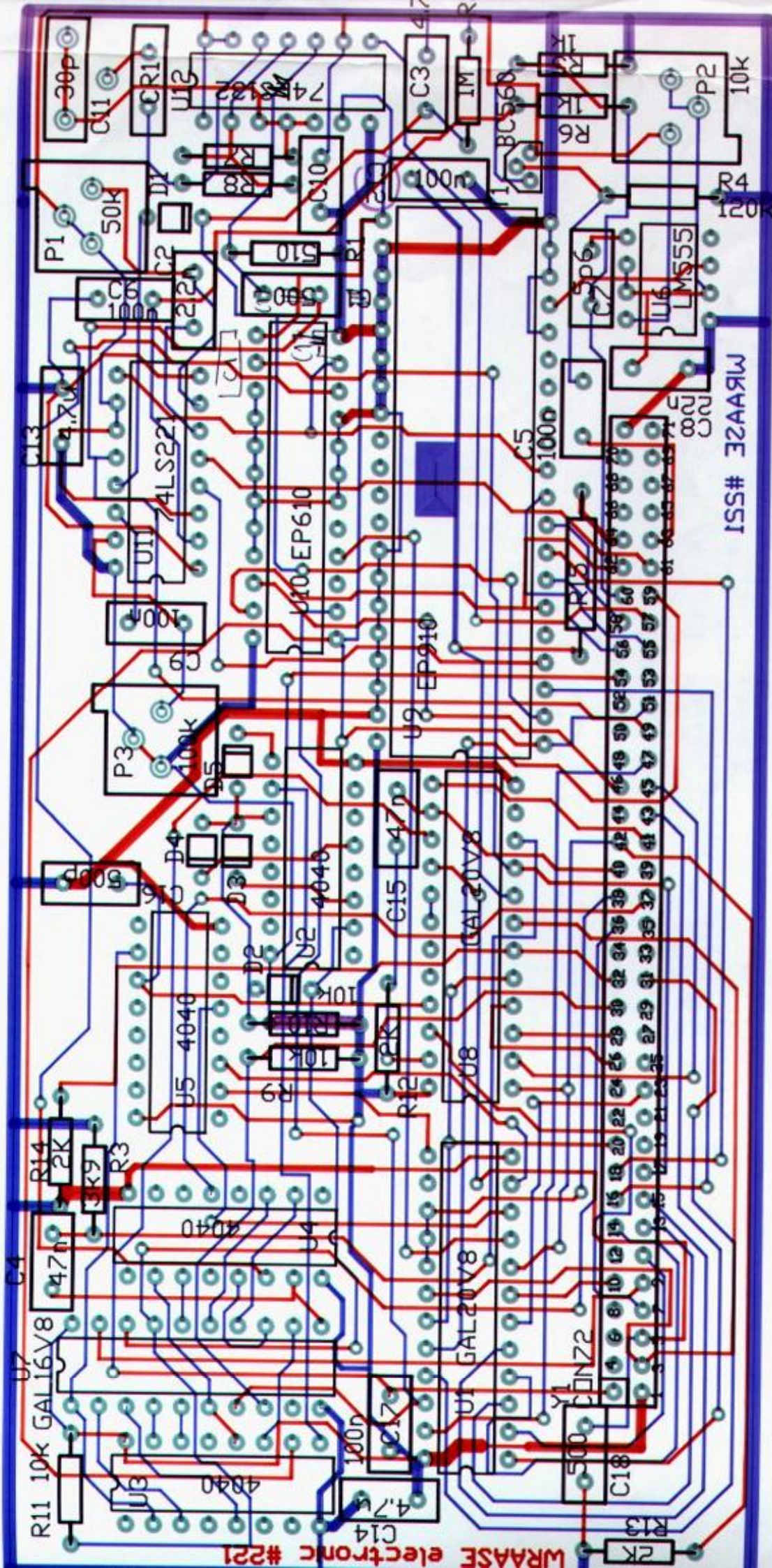
TITL		WRASE electronic all rights reserved.
Size	Number	Revision
A3	SC-2	BOARD 241, P.2
Date:	8-DEC-1991	Sheet 2 of 3
File:	241/2	Drawn By: VU

1 2 3 4 5 6 7 8

A B C D E F

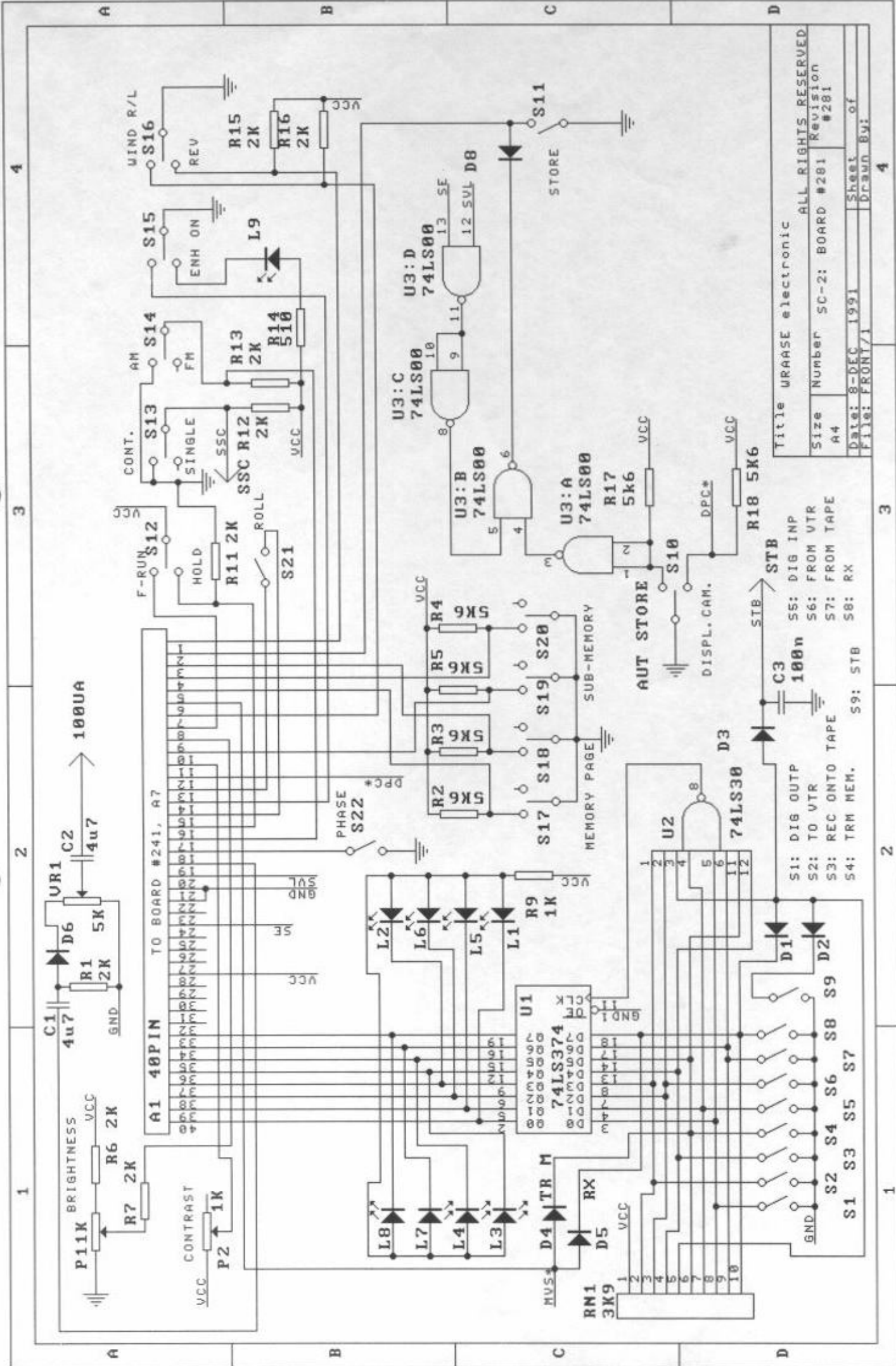






C7 → 12p





Title URAASE electronic	
Size A4	ALL RIGHTS RESERVED
Number SC-2: BOARD #281	Revision #281
Date: 8-DEC 1991	Sheet of
File: FRONT/1	Drawn By:

S1: DIG OUTP  
 S2: TO VTR  
 S3: REC ONTO TAPE  
 S4: TRM MEM.  
 S5: DIG INP  
 S6: FROM VTR  
 S7: FROM TAPE  
 S8: RX  
 S9: STB

4

3

2

1

4

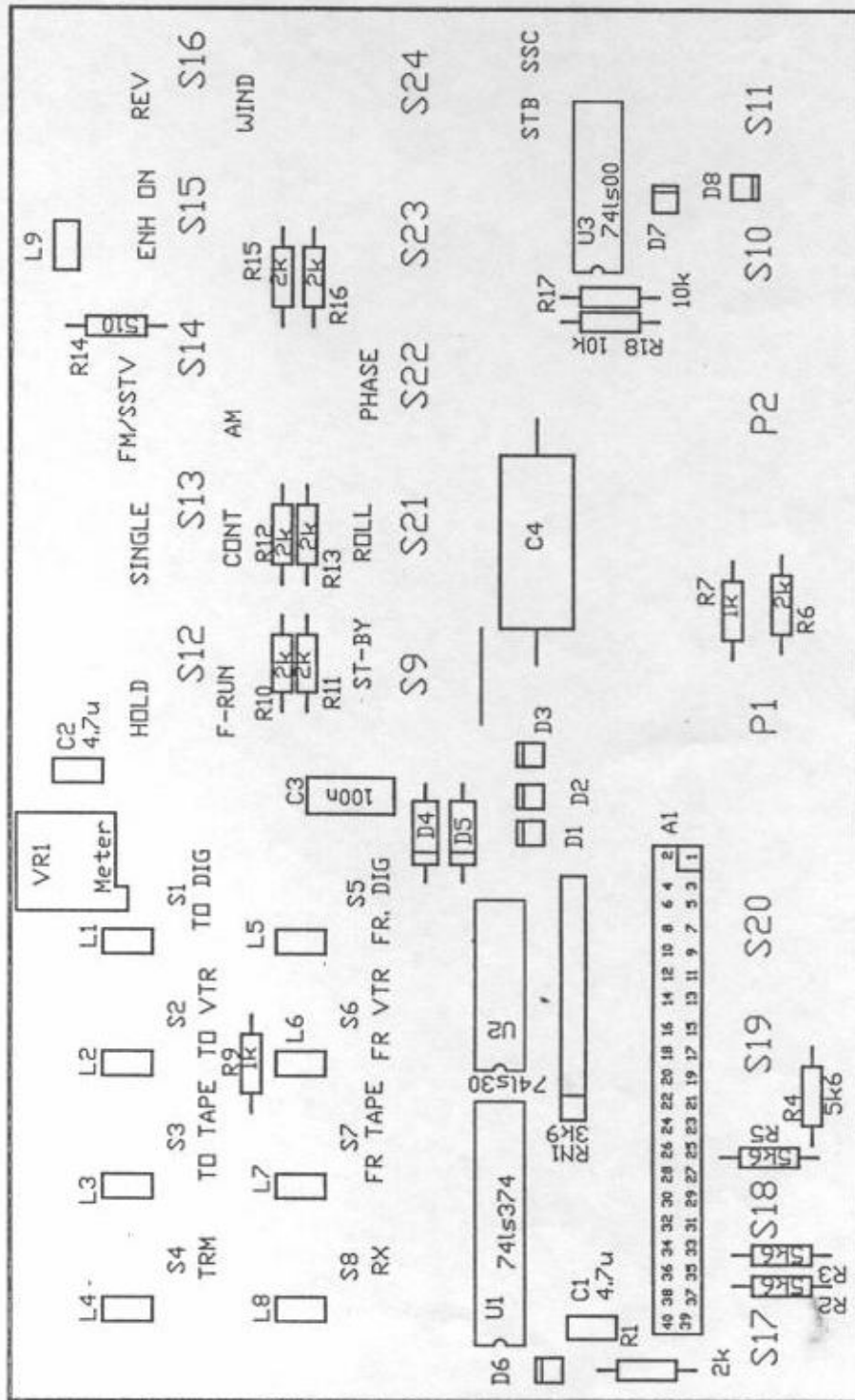
3

2

1



SC-2: BOARD #281, PARTS LOCATION



L8

WRAASE electronic #281

WRAASE electronic #281

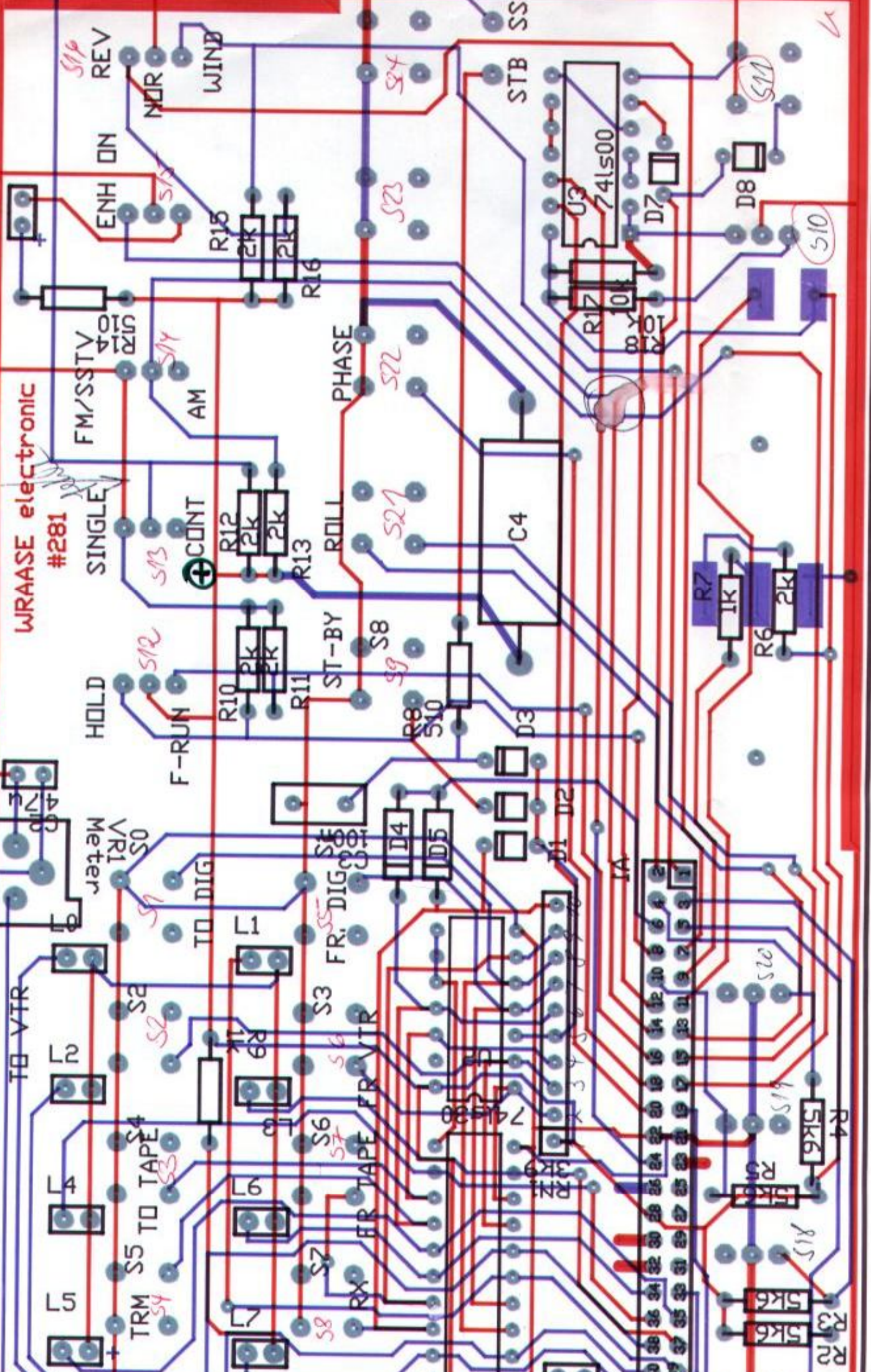
WRAASE electronic #281

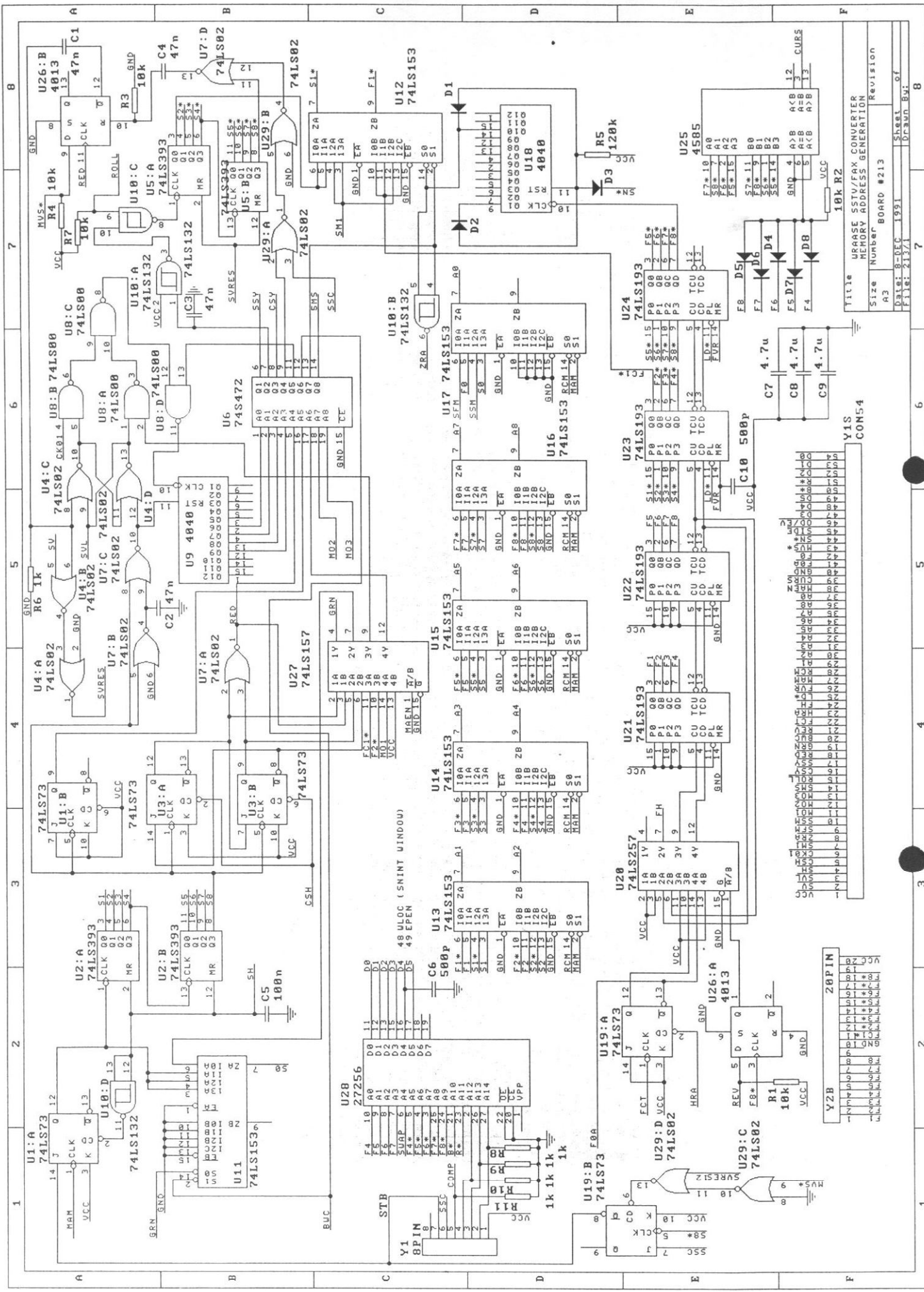
WRAASE electronic #281

WRAASE electronic #281

WRAASE electronic #281

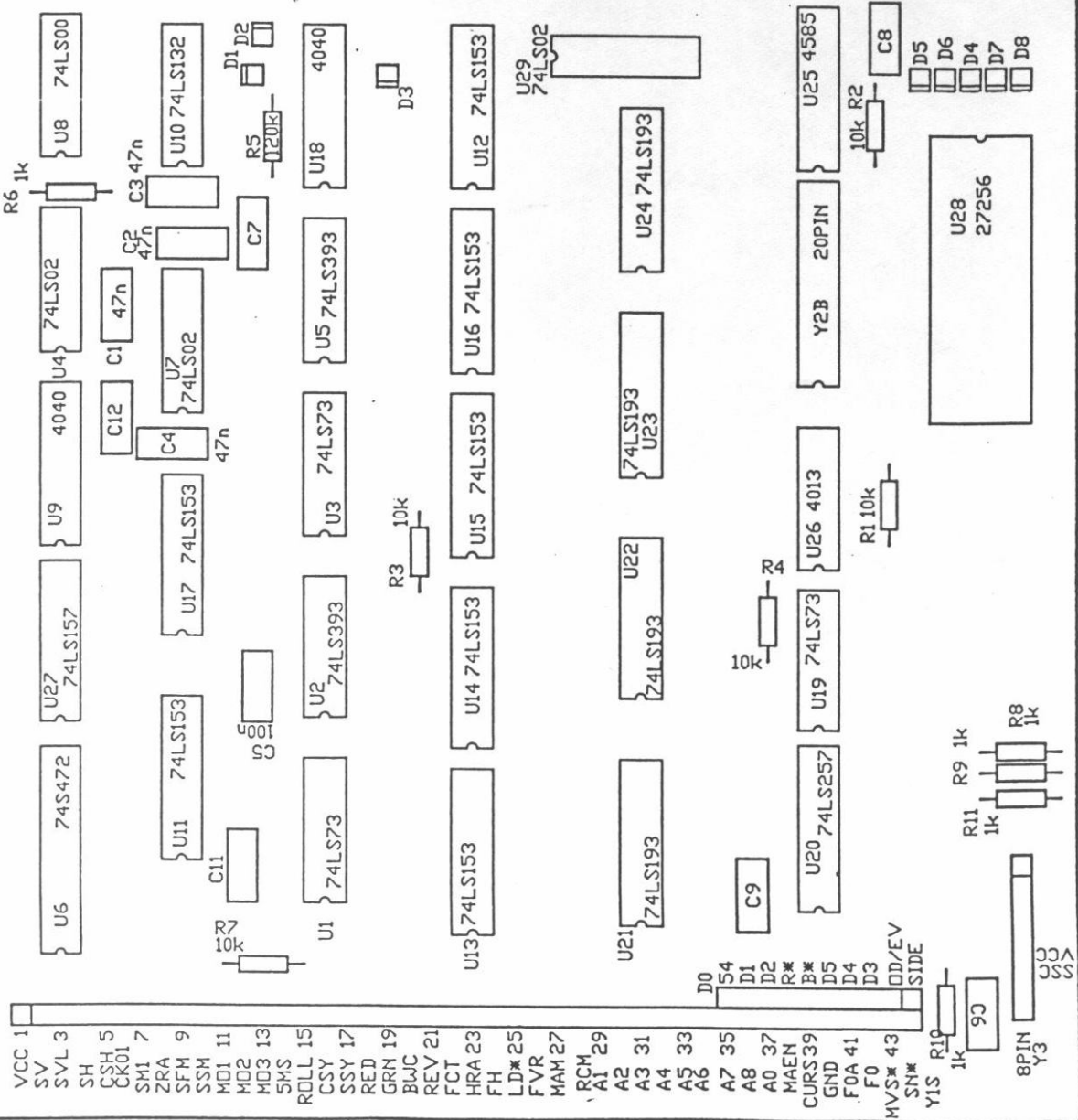
WRAASE electronic #281

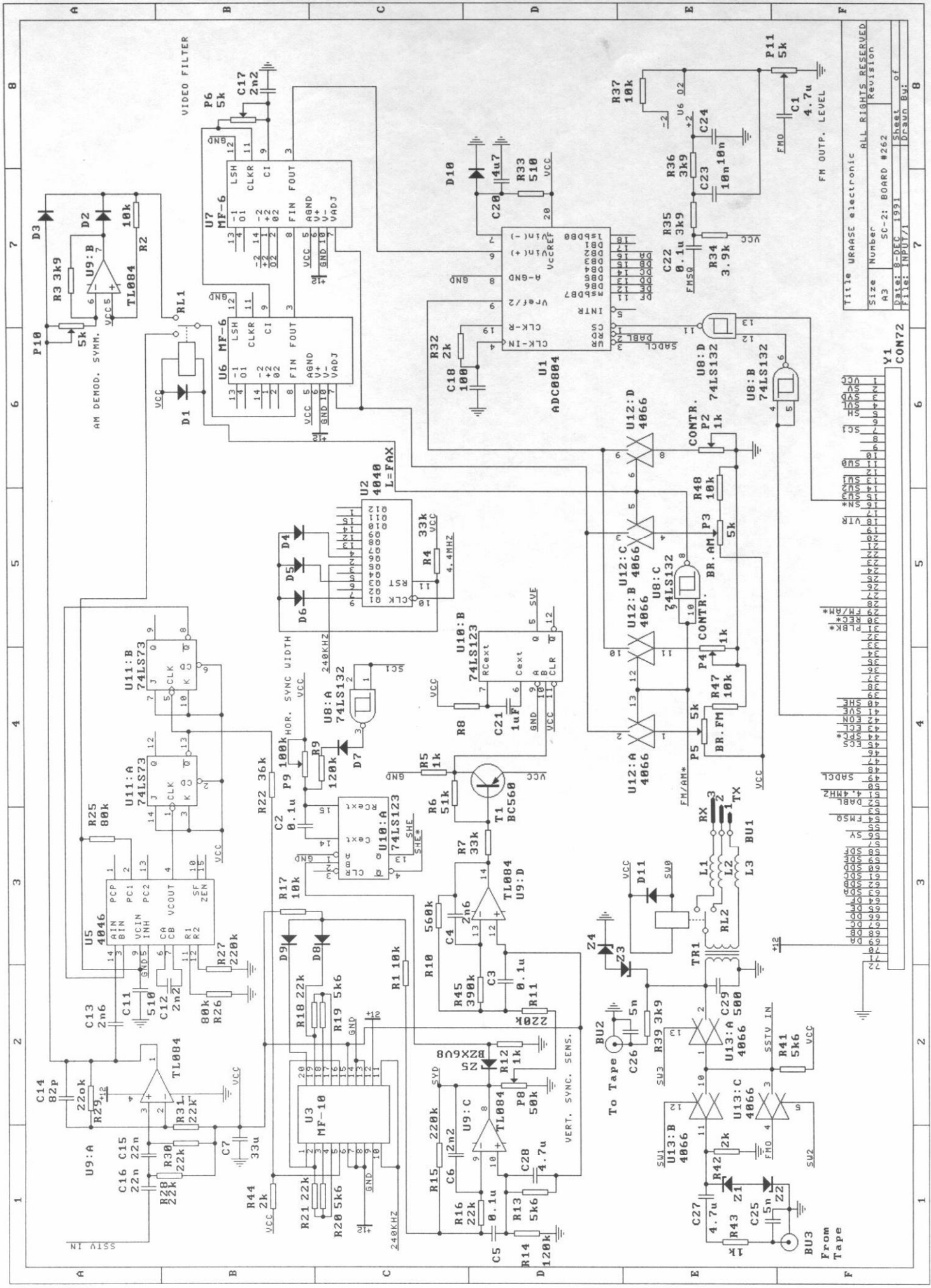




SC-2 BOARD #213

PARTS LOCATION



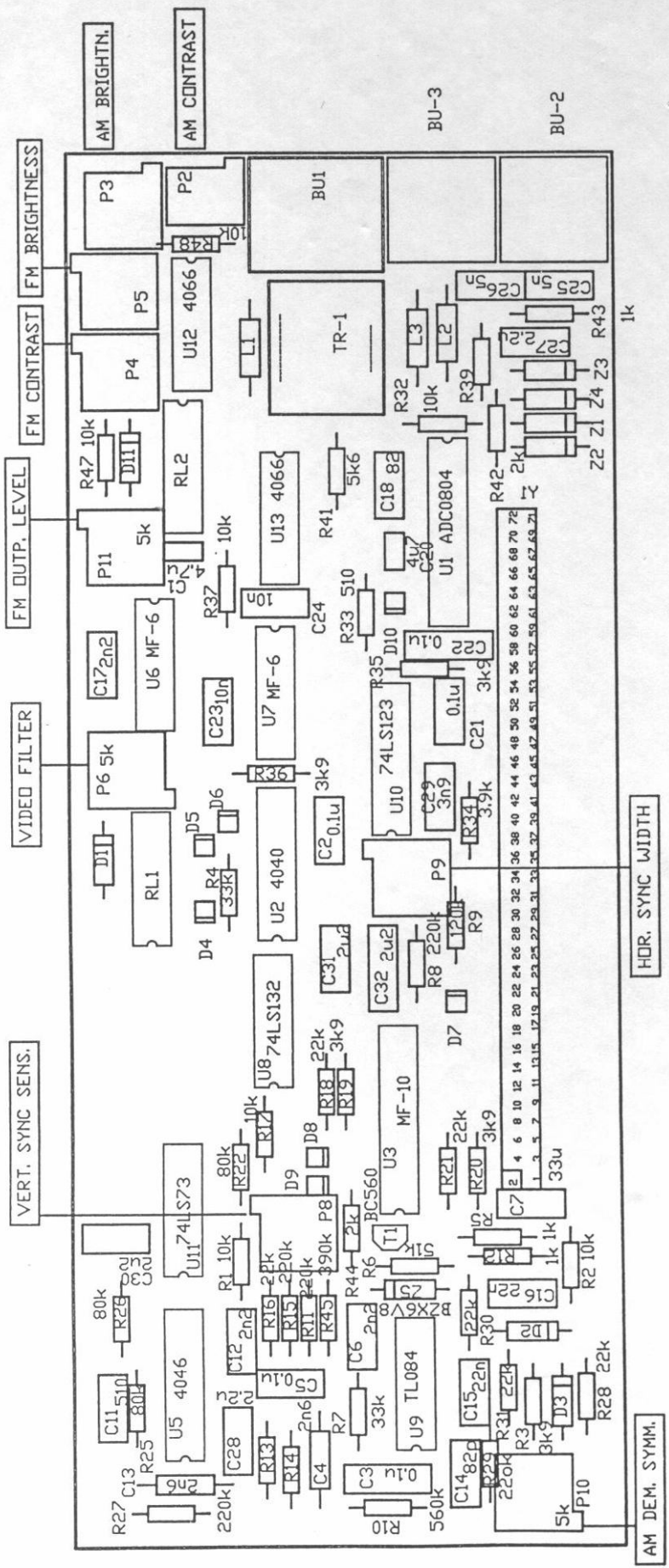


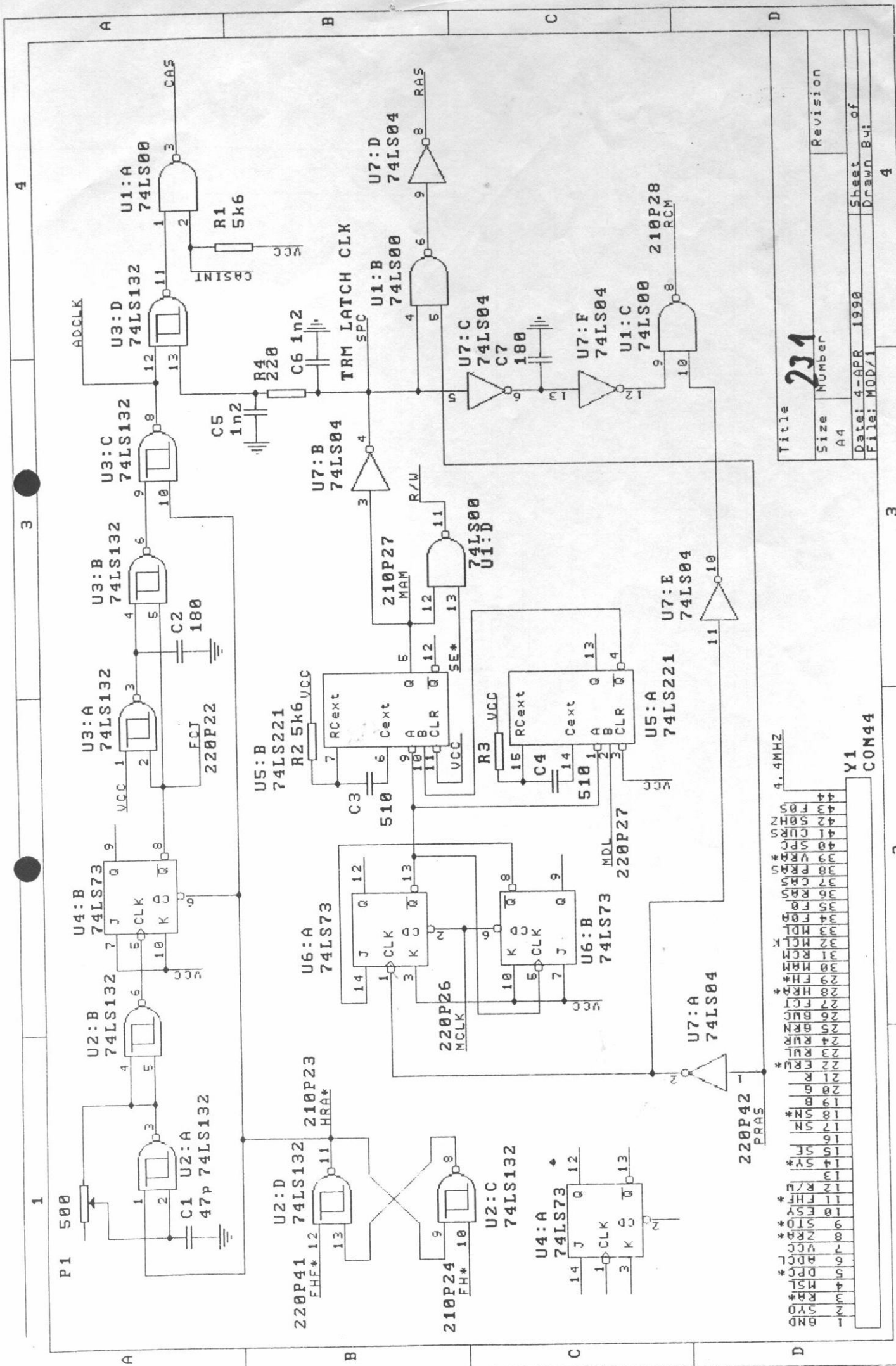
Title URAAE electronic  
 ALL RIGHTS RESERVED  
 Size Number A3  
 SC-2: BOARD #262  
 Date: 8-DEC-1991  
 File: INPUT1

Pin	Signal	Level	Notes
1	FM IN	FM	
2	FM IN	FM	
3	FM IN	FM	
4	FM IN	FM	
5	FM IN	FM	
6	FM IN	FM	
7	FM IN	FM	
8	FM IN	FM	
9	FM IN	FM	
10	FM IN	FM	
11	FM IN	FM	
12	FM IN	FM	
13	FM IN	FM	
14	FM IN	FM	
15	FM IN	FM	
16	FM IN	FM	
17	FM IN	FM	
18	FM IN	FM	
19	FM IN	FM	
20	FM IN	FM	
21	FM IN	FM	
22	FM IN	FM	
23	FM IN	FM	
24	FM IN	FM	
25	FM IN	FM	
26	FM IN	FM	
27	FM IN	FM	
28	FM IN	FM	
29	FM IN	FM	
30	FM IN	FM	
31	FM IN	FM	
32	FM IN	FM	
33	FM IN	FM	
34	FM IN	FM	
35	FM IN	FM	
36	FM IN	FM	
37	FM IN	FM	
38	FM IN	FM	
39	FM IN	FM	
40	FM IN	FM	
41	FM IN	FM	
42	FM IN	FM	
43	FM IN	FM	
44	FM IN	FM	
45	FM IN	FM	
46	FM IN	FM	
47	FM IN	FM	
48	FM IN	FM	
49	FM IN	FM	
50	FM IN	FM	
51	FM IN	FM	
52	FM IN	FM	
53	FM IN	FM	
54	FM IN	FM	
55	FM IN	FM	
56	FM IN	FM	
57	FM IN	FM	
58	FM IN	FM	
59	FM IN	FM	
60	FM IN	FM	
61	FM IN	FM	
62	FM IN	FM	
63	FM IN	FM	
64	FM IN	FM	
65	FM IN	FM	
66	FM IN	FM	
67	FM IN	FM	
68	FM IN	FM	
69	FM IN	FM	
70	FM IN	FM	
71	FM IN	FM	
72	FM IN	FM	
73	FM IN	FM	
74	FM IN	FM	
75	FM IN	FM	
76	FM IN	FM	
77	FM IN	FM	
78	FM IN	FM	
79	FM IN	FM	
80	FM IN	FM	
81	FM IN	FM	
82	FM IN	FM	
83	FM IN	FM	
84	FM IN	FM	
85	FM IN	FM	
86	FM IN	FM	
87	FM IN	FM	
88	FM IN	FM	
89	FM IN	FM	
90	FM IN	FM	
91	FM IN	FM	
92	FM IN	FM	
93	FM IN	FM	
94	FM IN	FM	
95	FM IN	FM	
96	FM IN	FM	
97	FM IN	FM	
98	FM IN	FM	
99	FM IN	FM	
100	FM IN	FM	

From Tape  
 BU3  
 C27 4.7u  
 R42 2k  
 U13:A 4066  
 U13:C 4066  
 R41 5k6  
 S5TV IN  
 SW2  
 SW3  
 R39 3k9  
 D11  
 VCC  
 BU2  
 To Tape  
 Z3  
 Z4  
 TR1  
 RX  
 L3 BU1  
 L2  
 L1  
 TX  
 BR.FM P3  
 R48 10k  
 R47 10k  
 P4  
 CONTR. BR.AM P3  
 U8:B 74LS132  
 U8:C 74LS132  
 U12:A 4066  
 U12:B 4066  
 U12:C 4066  
 U8:D 74LS132  
 CONTR. P2  
 R34 3.9k  
 C24 10n10n  
 R36 3k9  
 C22 R35 0.1u3k9  
 FMS0  
 U6 02  
 R37 10k  
 FM OUTP. LEVEL  
 C1 4.7u  
 FMO  
 P11 5k

SC-2: ANALOG BOARD #262  
PARTS LOCATION



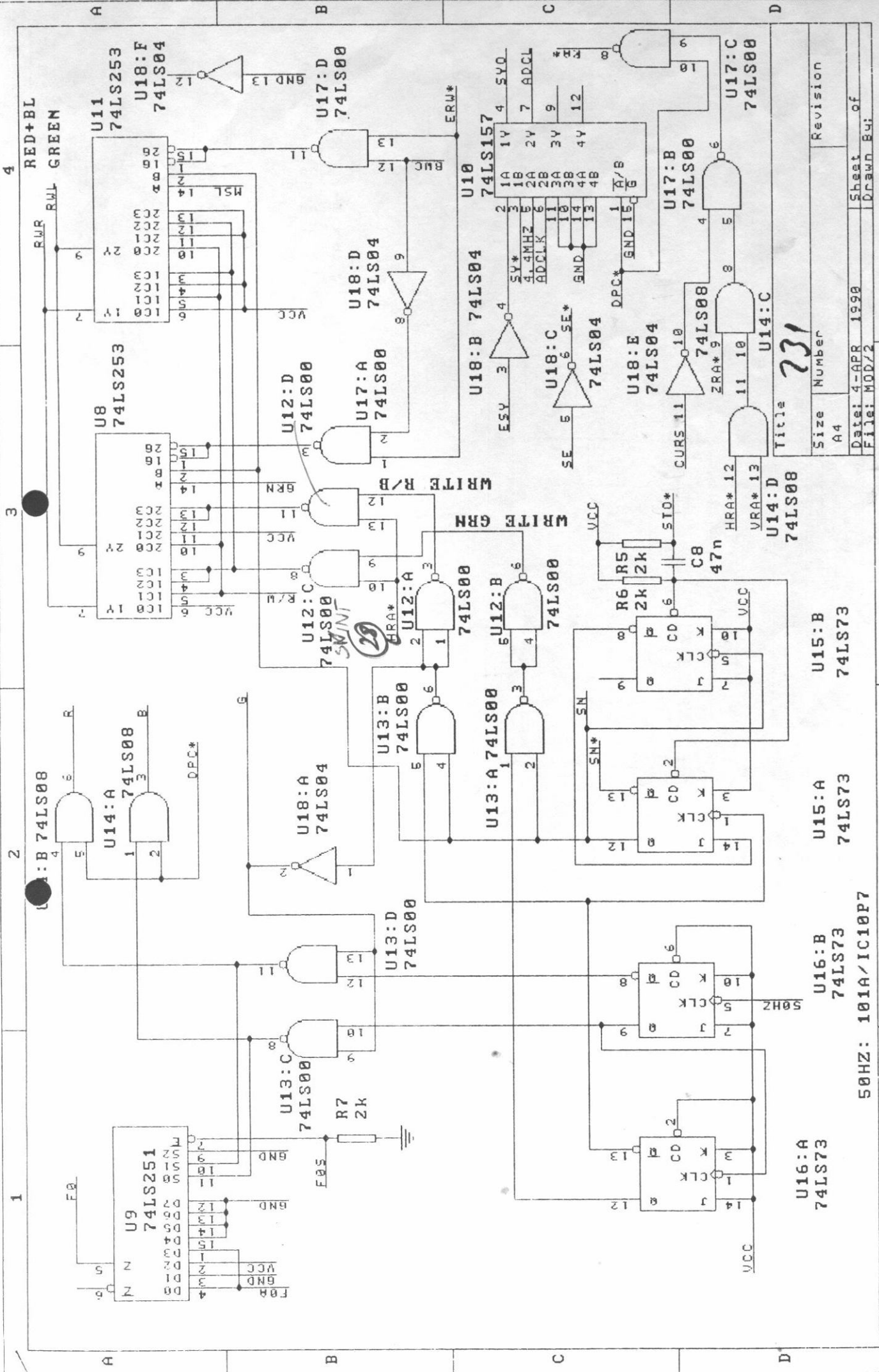


Title		Revision	
Size		Number	
A4		231	
Date: 4-APR 1990		Sheet of	
File: MOD/1		Drawn By:	
		4	

Title		Revision	
Size		Number	
A4		231	
Date: 4-APR 1990		Sheet of	
File: MOD/1		Drawn By:	
		4	

4.4MHZ

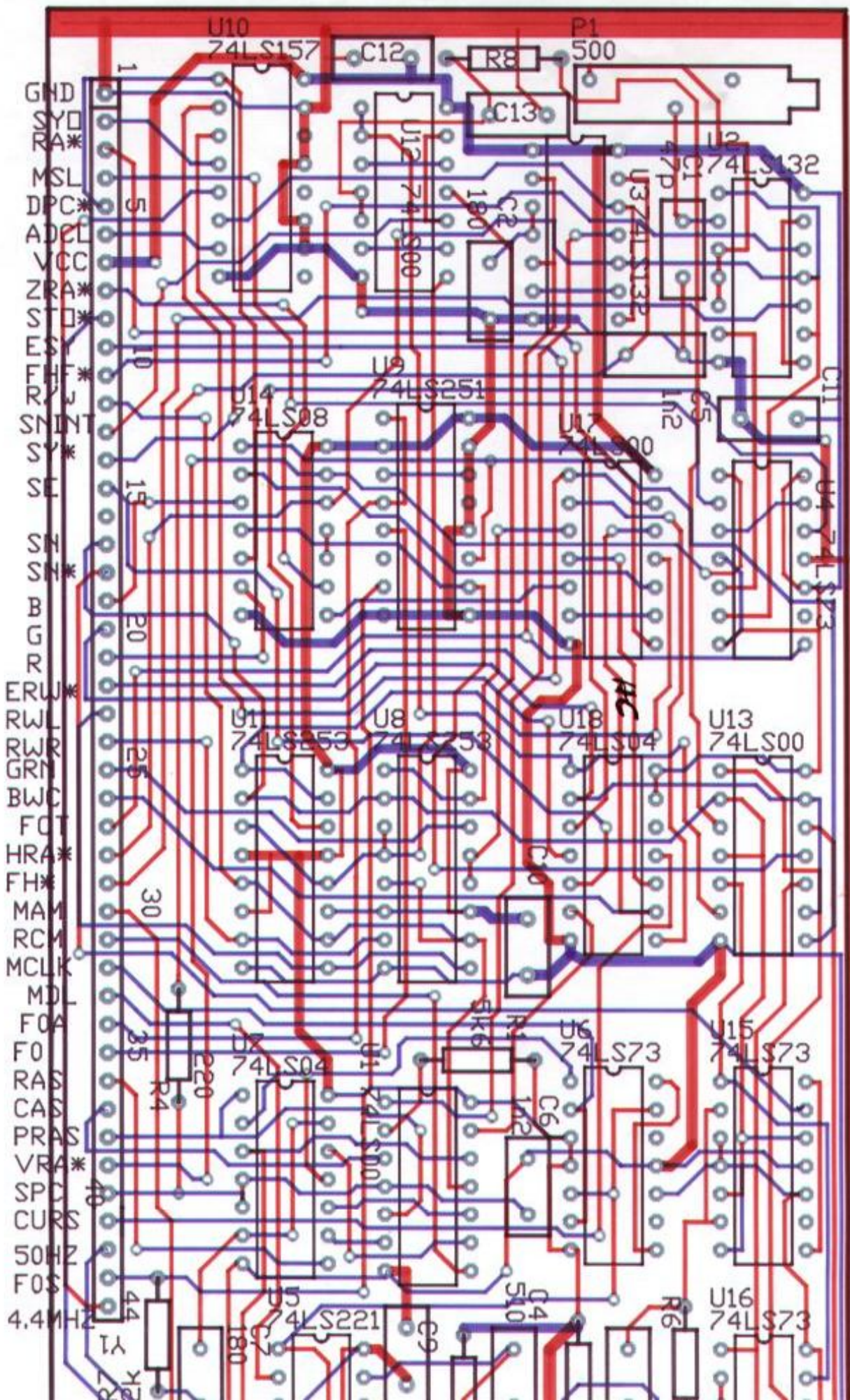
Y1 CON44



4	3	2	1
RED+BL	RWL	GREEN	
Title: <b>231</b>			
Size: A4			
Revision: _____			
Date: 4-APR 1990			
File: MOD/2			
Sheet _____ of _____			Drawn By: _____
50HZ: 101A/IC10P7			

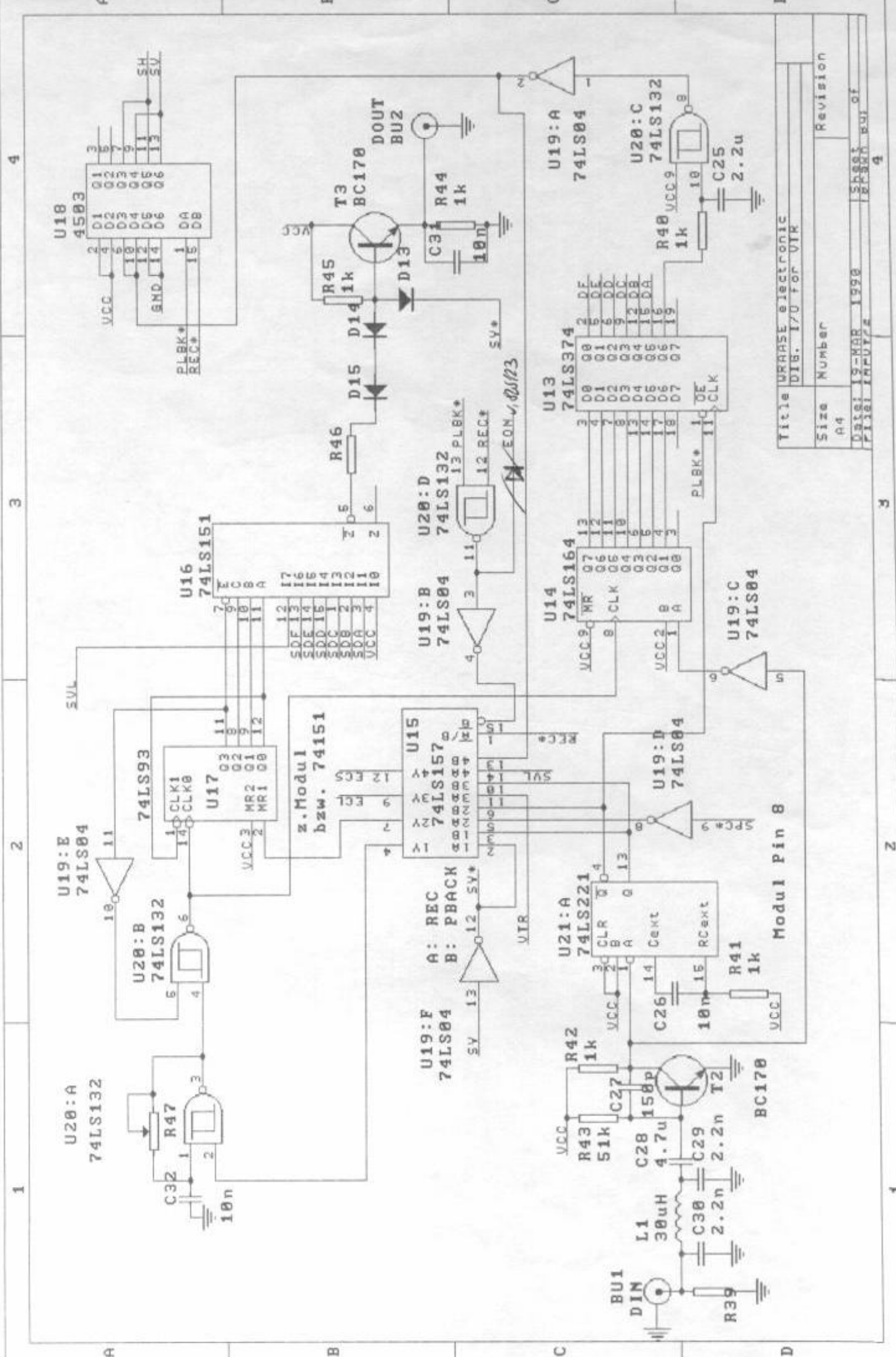






Q18 HC 04

MS1 LS132!



Title	URRASE electronic
Size	DIB. 1/0 for VIR
Number	04
Date:	19-MAR 1998
Page:	1/2
Sheet	2 of 4
Revision	

Module Pin 8

1 2 3 4